

ORDERING CODE INFORMATION

Steel

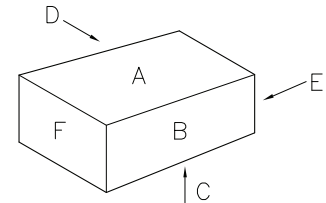
Code No 705161/*

* Number of Stations

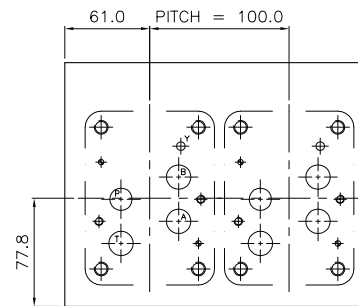
Material	- Steel
Working Pressure	- Steel 315 bar
'A' and 'B' Ports	- 1" B.S.P.
'P' Port	- 1 1/4" B.S.P.
'T' Port	- 1 1/2" B.S.P.
'DR' Port	- 3/8" B.S.P.
Valve Fixings	- M10 x 16 Full Thread - M6 x 12 Full Thread
Manifold Fixings	- M12 x 20 Deep Full Thread
Pitch	- 100.0 mm

NUMBER OF STATIONS	LENGTH	WEIGHT STEEL (kgs)
ONE	115.0	21.0
TWO	215.0	40.0
THREE	315.0	59.0

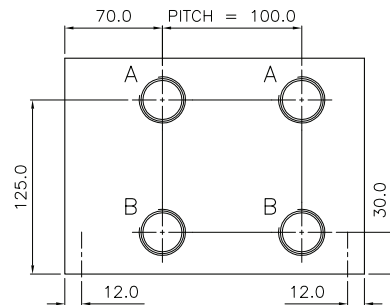
DIMENSIONAL INFORMATION



A



B



F

