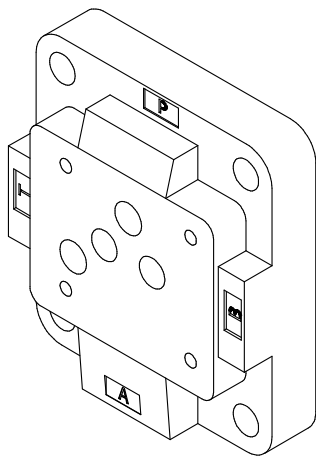


ORDERING CODE INFORMATION

Cast Iron

Code No 1601

Material	- Cast Iron GG25
Working Pressure	- 315 bar
'A' and 'B' Ports	- 1/2" B.S.P
'P' and 'T' Ports	- 1/2" B.S.P
Valve Fixings	- M6 x 12 Deep Full thread
Manifold Fixings	- 11.0 Dia Through
Weight	- 2.0kg



DIMENSIONAL INFORMATION

