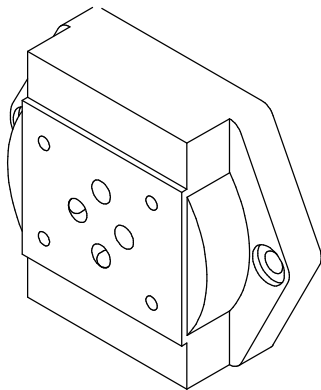


ORDERING CODE INFORMATION

Cast Iron

Code No 1501

Material	-Cast Iron GG25
Working Pressure	- 315 bar
'A' and 'B' Ports	- 3/8" B.S.P
'P' and 'T' Ports	- 3/8" B.S.P
Valve Fixings	- M5 x 10 Deep Full Thread
Manifold Fixings	- 7.0 Dia Through
Pitch	- 1.0kg



DIMENSIONAL INFORMATION

